

## HWD-5104MH TURBO HD DVR

### Key Feature

- Deep learning based human and vehicle targets classification of Motion Detection 2.0
- H.265 Pro+/H.265 Pro/H.265/H.264+/H.264 video compression
- HDTV/AVHD/CVI/CVBS/IP video input
- Audio via coaxial cable
- Up to 5-ch IP camera inputs (up to 2 MP)
- Up to 1080p Lite@15 fps encoding capability
- Max. 1200 m for 720p HDTV signal



### Smart Function

- Deep learning-based motion detection 2.0

### Compression and Recording

- H.265 Pro+ video compression improves encoding efficiency, and reduces data storage costs
- Support 1080p Lite of all channels. When 1080p Lite is on, the image effect is similar with 1080p

### Storage and Playback

- 1 SATA interface (up to 4 TB capacity)
- Smart search for efficient playback

### Network & Ethernet Access

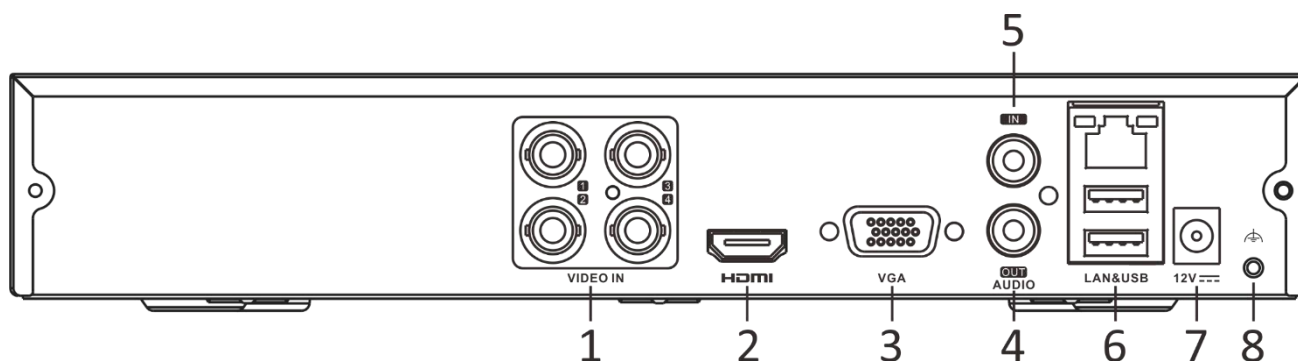
- Hik-Connect & DDNS (Dynamic Domain Name System) for easy network management

## ▪ Specification

| Motion Detection 2.0   |  |
|------------------------|--|
| Human/Vehicle Analysis | <p>Deep learning-based motion detection 2.0 is enabled by default for all analog channels, it can classify human and vehicle, and extremely reduce false alarms caused by objects like leaves and lights;</p> <p>Quick search by object or event type is supported;</p>  |
| Recording              |  |
| Video Compression      | H.265 Pro+/H.265 Pro/H.265/H.264+/H.264  |
| Encoding Resolution    | <p>For 1080p stream access: 1080p Lite/720p Lite/WD1/4CIF/VGA/CIF</p> <p>For 720p stream access: 720p/WD1/4CIF/VGA/CIF</p> <p>For SD stream access: WD1/4CIF/VGA/CIF</p>   |
| Frame Rate             | <p>Main stream:</p> <p>For 1080p stream access: 1080p Lite/720p Lite/WD1/4CIF/VGA/CIF@25 fps(P)/30 fps (N)</p> <p>For 720p stream access: 720p/WD1/4CIF/VGA/CIF@ 25fps (P)/30 fps (N)</p> <p>For SD stream access: WD1/4CIF/VGA/CIF@25 fps (P)/30 fps (N)</p> <p>Sub-stream:</p> <p>4CIF@15fps; CIF/QVGA@25 fps (P)/30 fps (N)</p> |
| Video Bitrate          | 32 Kbps to 4 Mbps  |
| Stream Type            | Video, Video & Audio   |
| Audio Compression      | G.711u   |
| Audio Bitrate          | 64 Kbps  |
| Video and Audio        |  |
| IP Video Input         | <p>1-ch (up to 5-ch)</p> <p>Up to 1080p resolution</p> <p>Support H.265+/H.265/H.264+/H.264 IP cameras</p>   |
| Analog Video Input     | <p>4-ch</p> <p>BNC interface (1.0 Vp-p, 75 Ω), supporting coaxitron connection</p>   |
| HDTVI Input            | 1080p25, 1080p30, 720p25, 720p30   |
| AHD Input              | 1080p25, 1080p30, 720p25, 720p30   |
| HDCVI Input            | 1080p25, 1080p30, 720p25, 720p30   |
| CVBS Input             | Support  |
| HDMI Output            | 1-ch, 1920 × 1080/60Hz, 1280 × 1024/60Hz, 1280 × 720/60Hz  |
| VGA Output             | 1-ch, 1920 × 1080/60Hz, 1280 × 1024/60Hz, 1280 × 720/60Hz  |
| Video Output Mode      | HDMI/VGA simultaneous output   |
| Audio Input            | <p>1-ch RCA (2.0 Vp-p, 1 KΩ)</p> <p>4-ch via coaxial cable</p>   |

|                            |  |
|----------------------------|--|
| Audio Output               | 1-ch, RCA (Linear, 1 KΩ)   |
| Two-Way Audio              | Reuse the first audio input  |
| Synchronous playback       | 4-ch   |
| <b>Network</b>             |  |
| Total Bandwidth            | 64 Mbps  |
| Network Protocol           | TCP/IP, PPPoE, DHCP, Hik-Connect, DNS, DDNS, NTP, SADP, SMTP, UPnP™, HTTPS |
| Remote Connection          | 32   |
| Network Interface          | 1, RJ45 10/100 Mbps self-adaptive Ethernet interface                       |
| <b>Auxiliary Interface</b> |  |
| SATA                       | 1 SATA interface   |
| Capacity                   | Up to 4 TB capacity for each disk  |
| USB Interface              | Rear panel: 2 × USB 2.0  |
| Alarm In/Out               | N/A  |
| <b>General</b>             |  |
| Power Supply               | 12 VDC, 1.5 A  |
| Consumption                | ≤ 16 W (without HDD)   |
| Working Temperature        | -10 °C to 55 °C (14 °F to +31 °F)  |
| Working Humidity           | 10% to 90%   |
| Dimension (W × D × H)      | 260 × 222 × 45 mm (10.2 × 8.7 × 1.8 inch)                                  |
| Weight                     | ≤ 0.8 kg (without HDD, 1.8 lb.)  |

## Physical Interface



| No. | Description                | No. | Description                             |
|-----|----------------------------|-----|---|
| 1   | Video and coaxial audio in | 5   | AUDIO IN, RCA connector                 |
| 2   | HDMI interface             | 6   | LAN network interface and USB interface |
| 3   | VGA interface              | 7   | 12 VDC power input                      |
| 4   | AUDIO OUT, RCA connector   | 8   | GND                                     |

## Available Model

HWD-5104MH

### Headquarters

No.555 Qianmo Road, Binjiang District,  
Hangzhou 310051, China  
T +86-571-8807-5998  
www.hikvision.com



Follow us on social media to get the latest product and solution information.



Hikvision



HikvisionHQ



HikvisionHQ



Hikvision\_Global



Hikvision  
Corporate Channel



hikvisionhq