

HWT-T240-M 4 MP EXIR Turret Camera



Key Features

- 4 MP high-performance CMOS
- 2560 × 1440 resolution
- 2.8 mm, 3.6 mm, 6 mm fixed lens
- Day/Night switch
- EXIR 2.0, smart IR, up to 40 m IR distance
- 4 in 1 video output (switchable TVI/AHD/CVI/CVBS)
- IP66



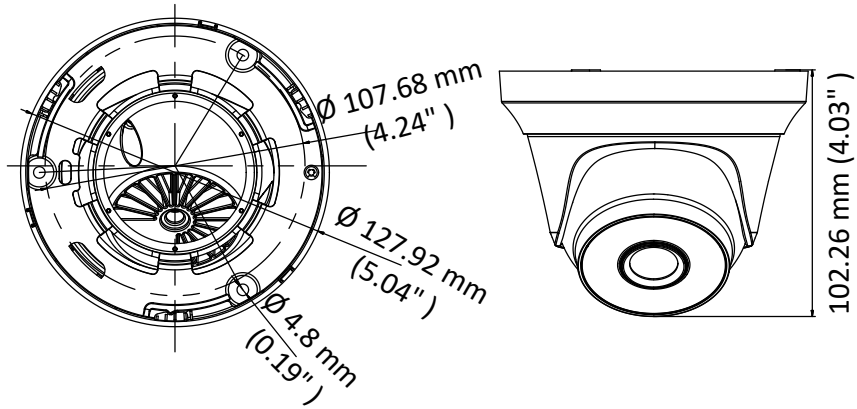
Specifications

| Camera | |
|--------------------------|--|
| Image Sensor | 4 MP CMOS image sensor |
| Signal System | PAL/NTSC |
| Resolution | 2560 (H) × 1440 (V) |
| Min. Illumination | 0.01 Lux@(F1.2, AGC ON), 0 Lux with IR |
| Shutter Time | 1/25 (1/30) s to 1/50,000 s |
| Lens | 2.8 mm, 3.6 mm, 6 mm |
| Horizontal Field of View | 100.2° (2.8 mm), 88° (3.6 mm), 56.9° (6 mm) |
| Lens Mount | M12 |
| Day & Night | IR cut filter |
| Angle Adjustment | Pan: 0° to 360°, Tilt: 0° to 75°, Rotation: 0° to 360° |
| Synchronization | Internal synchronization |
| Video Frame Rate | PAL: 1080p@25fps, 4 MP@25fps NTSC: 1080p@30fps, 4MP@30fps |
| Menu | |
| AGC | High/Medium/Low/Off |
| D/N Mode | Auto/Color/BW (Black and White) |
| BLC | Support |
| DWDR | Support |
| Language | English |
| Functions | Brightness, Sharpness, DNR, Mirror, Smart IR |
| Interface | |
| Video Output | 1 HD analog output |
| Switch Button | TVI/AHD/CVI/CVBS |
| General | |
| Operating Conditions | -40 °C to 60 °C (-40 °F to 140 °F), Humidity: 90% or less (non-condensation) |
| Power Supply | 12 VDC ±15% |
| Power Consumption | Max. 4 W |
| Protection Level | IP66 |
| Material | Metal |
| IR Range | Up to 40 m |
| Dimensions | Ø 127.92 mm × 102.26 mm (Ø 5.04" × 4.03") |
| Weight | 450 g (0.99 lb.) |

Order Model

HWT-T240-M

Dimension



Accessories



DS-1273ZJ-130-TRL
Wall Mount



DS-1275ZJ-SUS
Vertical Pole Mount



DS-1276ZJ-SUS
Corner Mount



DS-1280ZJ-M
Junction Box



DS-1281ZJ-M
Inclined Ceiling Mount



DS-1271ZJ-130-TRL
Pendant Mount



DS-1H18
Video Balun