

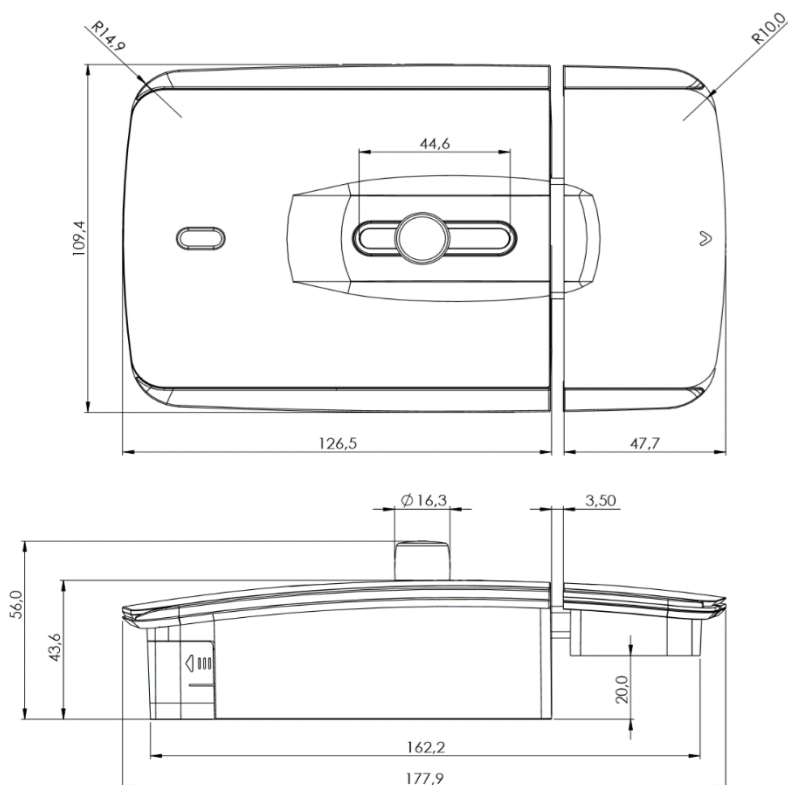
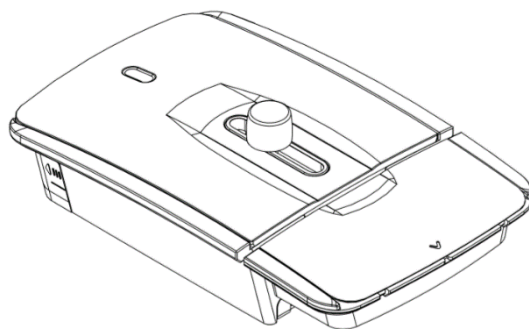
# Data Sheet wBolt

This document explains the main technical data of this product.

1. Architecture .....	2
2. Fixing Elements .....	3
3. Motor Data .....	4
4. Battery Data .....	5
5. Electronic Data .....	6 - 7

# 1. Architecture

- ✓ Weight: 900 [gr]
- ✓ Maximum Height: 55 [mm]
- ✓ Maximum Length: 178 [mm]
- ✓ Maximum Amplitude: 108 [mm]
- ✓ General Material: ABS, POM, Zamak.



## 2. Fixing Elements:

- ✓ wBolt: ISO 14586 [4,8x32] x 4
- ✓ Reciver: ISO 14585 [4,9x30] x 4

### 3. Motor Data:

- ✓ Weight: 29 [gr]
- ✓ Maximum Height: 32,6 [mm]
- ✓ Maximum Length: 48,5 [mm]
- ✓ Maximum Amplitude: 15,2 [mm]
- ✓ Operating Temp. Range: -15 / 70 [°C]
- ✓ Operating Voltage Range: 4,8 [V] | 6 [V]
- ✓ Idle Current: 8 [mA] | 9 [mA]
- ✓ Peak Stall Torque: 4 [kg · cm] | 5,2 [kg · cm]

## 4. Battery Data:

- ✓ Type: AA
- ✓ Voltage: 1,5 [V]
- ✓ Type: Alkaline
- ✓ Temperature Range: -15 / 50 [°C]
- ✓ Quantity: 4 [uds]
- ✓ Load: 250[Ma]

## 5. wBolt BLE Base

✓ C: 6 [VDC] / 3 [A]

✓ Core Nrf52832:

- ARM Cortex M4F
- 512 [KB] Flash / 64 [KB] RAM
- System Oscillator: 32 [MHz]
- Bluetooth Low Energy (BLE 4.0) SoC:
  - Max Transmission Power: +4 [dBm]
  - Frequency Range: 2400 – 2483,5 [MHz]
  - Channel Bandwidth: 2 [MHz]
  - Num. Channels: 40

✓ Security Sensors:

- Vibration Sensor:
  - High Sensivity
  - Live expectancy: 200000 cycles

✓ Buzzer:

- Sound Level Minimum: 80 Db
- Frequency: 2700 Hz

✓ Operating Temperature: -20 / 54 [°C]