

### HWI-B440H 4MP IR Bullet Network Camera



- High quality imaging with 4 MP resolution
- Clear imaging against strong back light due to 120 dB WDR technology
- Efficient H.265+ compression technology
- Water and dustresistant (IP67)
- Easy installation with Power over Ethernet (PoE) technology
- 3D DNR technology delivers clean and sharp images



## ▪ Specification

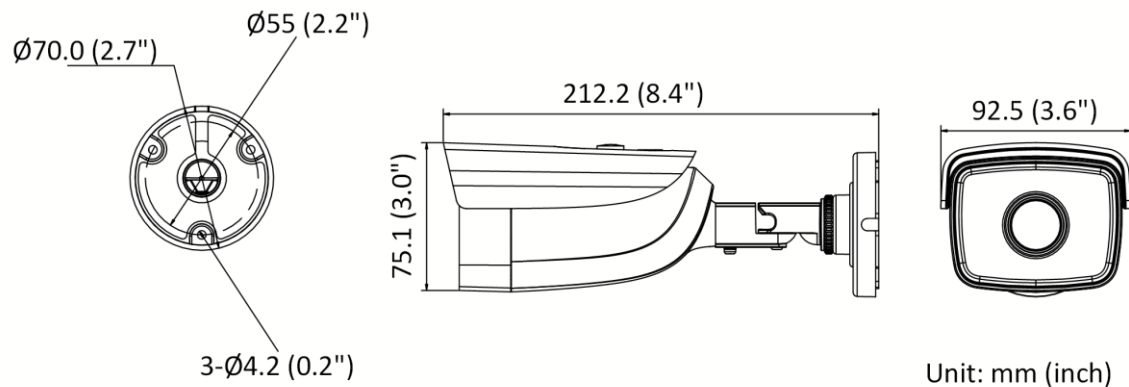
Camera	
Image Sensor	1/3" Progressive Scan CMOS
Min. Illumination	Color: 0.028 Lux @ (F2.0, AGC ON), 0 Lux with IR
Shutter Speed	1/3 s to 1/100,000 s
Slow Shutter	Yes
Wide Dynamic Range	120 dB
Day & Night	ICR Cut
Angle Adjustment	Pan: 0° to 360°, tilt: 0° to 180°, rotate: 0° to 360°
Linkage Method	Upload to FTP, notify surveillance center, send email, trigger capture
Lens	
Lens Type & FOV	4 mm, horizontal FOV 75°, vertical FOV 41°, diagonal FOV 88° 6 mm, horizontal FOV 49°, vertical FOV 26°, diagonal FOV 57°
Aperture	4 mm: F2.0 6 mm: F1.6
Lens Mount	M12
Illuminator	
IR Range	50 m
Wavelength	850 nm
Smart Supplement Light	Yes
Video	
Max. Resolution	2560 × 1440
Main Stream	50Hz: 20 fps (2560 × 1440) 25 fps (2304 × 1296, 1920 × 1080, 1280 × 720) 60Hz: 20 fps (2560 × 1440) 30 fps (2304 × 1296, 1920 × 1080, 1280 × 720)
Sub-Stream	50Hz: 25 fps (640 × 480, 640 × 360, 320 × 240) 60Hz: 30 fps (640 × 480, 640 × 360, 320 × 240)
Video Compression	Main Stream: H.265/H.264/H.264+/H.265+ Sub-stream: H.265/H.264 /MJPEG
Video Bit Rate	32 Kbps to 8 Mbps
H.264 Type	Baseline Profile/Main Profile/High Profile
H.265 Type	Main Profile
Stream Type	Main stream/Sub-stream
Region of Interest (ROI)	1 fixed region for main stream and sub-stream
Network	
Simultaneous Live View	Up to 6 channels
API	Open Network Video Interface (PROFILE S, PROFILE G), ISAPI, SDK
Protocols	TCP/IP, ICMP, HTTP, HTTPS, FTP, DHCP, DNS, DDNS, RTP, RTSP, PPPoE, NTP, UPnP, SMTP, SNMP, IGMP, 802.1X, QoS, IPv6, UDP, Bonjour, SSL/TLS
Smooth Streaming	Yes
User/Host	Up to 32 users. 3 user levels: administrator, operator and user

Security	Password protection, complicated password, HTTPS encryption, watermark, IP address filter, basic and digest authentication for HTTP/HTTPS, WSSE and digest authentication for Open Network Video Interface, RTP/RTSP OVER HTTPS, Control Timeout Settings, Security Audit Log, TLS 1.2
Network Storage	NAS (NFS, SMB/CIFS)
Client	iVMS-4200, Hik-Connect, Hik-Central
Web Browser	IE 8+, Chrome 41.0-44, Firefox 30.0-51, Safari 8.0-11
<b>Image</b>	
Smart IR	Yes
Day/Night Switch	Day, Night, Auto, Schedule
Image Enhancement	BLC, HLC, 3D DNR
Image Settings	Saturation, brightness, contrast, sharpness, AGC, white balance adjustable by client software or web browser
SNR	≥ 52 dB
<b>Interface</b>	
Communication Interface	1 RJ45 10M/100M self-adaptive Ethernet port
<b>Intelligent (Traditional Algorithm)</b>	
Basic Event	Motion detection, video tampering alarm
<b>General</b>	
Web Client Language	English, Russian, Italian, French, Polish, Spanish, Turkish, Portuguese
General Function	Anti-flicker, heartbeat, mirror, password protection, privacy mask, watermark, IP address filter
Software Reset	Yes
Storage Conditions	-30 °C to 60 °C (-22 °F to 140 °F). Humidity 95% or less (non-condensing)
Startup and Operating Conditions	-30 °C to 60 °C (-22 °F to 140 °F). Humidity 95% or less (non-condensing)
Power Supply	12 VDC ± 25%, PoE: 802.3af, Type 1 Class 3, reverse polarity protection
Power Consumption and Current	12 VDC, 0.50 A, max. 6W PoE (802.3af, 36 V to 57 V), 0.20 A to 0.10 A, max. 7 W
Power Interface	Ø5.5 mm coaxial power plug
Material	Front cover & bracket: metal Back cover & sun shield: plastic
Camera Dimension	75.1 × 92.5 × 212.2 mm (3.0" × 3.6" × 8.4")
Package Dimension	234 × 120 × 117 mm (9.2" × 4.7" × 4.6")
Camera Weight	Approx. 500 g (1.1 lb.)
With Package Weight	Approx. 670 g (1.5 lb.)
<b>Approval</b>	
Protection	Ingress protection: IP67 (IEC 60529-2013)
EMC	FCC SDoC (47 CFR Part 15, Subpart B); CE-EMC(EN 55032: 2015, EN 61000-3-2: 2019, EN 61000-3-3: 2013, EN 50130-4: 2011 +A1: 2014); RCM (AS/NZS CISPR 32: 2015)
Safety	UL (UL 60950-1); CB (IEC 60950-1:2005 + Am 1:2009 + Am 2:2013); CE-LVD (EN 60950-1:2006 + A11:2009 + A1:2010+A12:2011+A2:2013)
Environment	CE-RoHS (2011/65/EU); WEEE (2012/19/EU); Reach (Regulation (EC) No 1907/2006)

▪ **Available Model**

HWI-B440H (4/6 mm)

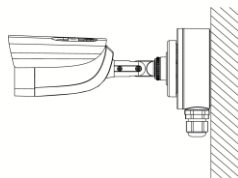
▪ **Dimension**



▪ **Accessory**

▪ **Optional**

**DS-1280ZJ-XS**  
**Junction Box**



Distributed by



**HIKVISION®**  
HiWatch Series

**Headquarters**

No.555 Qianmo Road, Binjiang District,  
Hangzhou 310051, China  
T +86-571-8807-5998  
overseasbusiness@hikvision.com

**Hikvision USA**  
T +1-909-895-0400  
sales.usa@hikvision.com

**Hikvision Italy**  
T +39-0438-6902  
info.it@hikvision.com

**Hikvision Singapore**  
T +65-6684-4718  
sg@hikvision.com

**Hikvision Africa**  
T +27 (10) 0351172  
sale.africa@hikvision.com

**Hikvision Europe**  
T +31-23-55-42-770  
info.eu@hikvision.com

**Hikvision France**  
T +33(0)1-85-330-450  
info.fr@hikvision.com

**Hikvision Oceania**  
T +61-2-8599-4233  
salesau@hikvision.com

**Hikvision Hong Kong**  
T +852-2151-1761

**Hikvision Middle East**  
T +971-4-8816086  
salesme@hikvision.com

**Hikvision Spain**  
T +34-91-737-16-55  
info.es@hikvision.com

**Hikvision Canada**  
T +1-909-895-0400  
sales.usa@hikvision.com

**Hikvision Russia**  
T +7-495-669-67-99  
saleru@hikvision.com

**Hikvision Poland**  
T +48-22-460-01-50  
poland@hikvision.com

**Hikvision Korea**  
T +82-31-731-8841  
sales.korea@hikvision.com

**Hikvision India**  
T +91-22-28469900  
sales@pramahikvision.com

**Hikvision UK**  
T +01628-902140  
support.uk@hikvision.com

**Hikvision Brazil**  
T +55 11 3318-0050  
Latam.support@hikvision.com

05058420200619